

AMERICAN RANGE

PROFESSIONAL QUALITY COOKING EQUIPMENT

PERFORMER SERIES

24", 30", 36", 48" and 60" Cook Tops with Open Gas Burners



AROBSCT-424



AROBSCT-430



AROBSCT-636



AROBSCT-648GD



AROBSCT-660GDGR

(All shown with optional 4" riser)

DESIGN



CLASS



FUNCTION

RESIDENTIAL GAS SLIDE-IN COOK TOPS

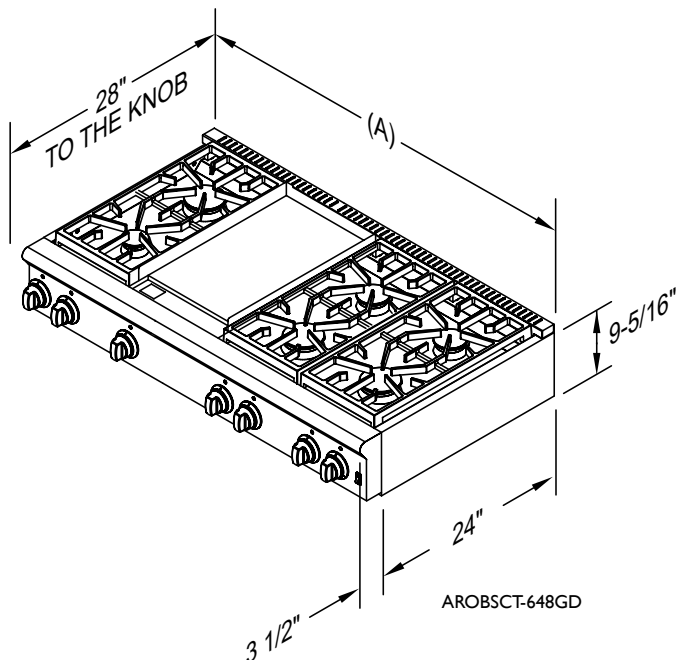
COOK TOP FEATURES

- True commercial lift-off burners for easy cleaning
- 3 sizes of burners to serve your everyday needs:
25,000 BTU (lg), 18,000 BTU (med) and 12,000 BTU (sm)
- Griddle burner (GD) is 20,000 BTU/hr. every 11" section
- Grill burner (GR) is 18,000 BTU/hr. every 11" section
- Variable infinite flame settings for all burners
- Automatic, electronic ignition with fail-safe system ensures re-ignition in the event the flame goes out even on the lowest burner setting
- Continuous commercial-grade cast iron grates
- Porcelainized burner pans catch spills and lift out for easy cleaning
- Push and turn knobs operation ensuring child safety
- Heavy duty metal die-cast black satin knobs with chrome bezels
- Stainless Steel Island Back Trim included and installed

TECHNICAL SPECIFICATIONS

Surface Burner Rating	Total Load	Quantity and Size of Burners						
		Width	LG	MED	SM	GR	GD	
AROBSTCT-424	80,000 BTU	24"	2	1	1	-	-	
AROBSTCT-242GD	40,000 BTU		-	-	-	-	2	
AROBSTCT-24X2GR	55,000 BTU		-	-	-	2	-	
AROBSTCT-430	80,000 BTU	30"	2	1	1	-	-	
AROBSTCT-636	123,000 BTU	36"	3	2	1	-	-	
AROBSTCT-436GD	100,000 BTU		2	1	1	-	1	
AROBSTCT-436GR	98,000 BTU		2	1	1	1	-	
AROBSTCT-848	166,000 BTU	48"	4	3	1	-	-	
AROBSTCT-648GD	143,000 BTU		3	2	1	-	1	
AROBSTCT-648GR	141,000 BTU		3	2	1	1	-	
AROBSTCT-4482GD	120,000 BTU		2	1	1	-	2	
AROBSTCT-448X2GR	116,000 BTU		2	1	1	2	-	
AROBSTCT-448GDGR	111,000 BTU		1	2	1	1	-	
AROBSTCT-660GDGR	161,000 BTU	60"	3	2	1	1	1	
AROBSTCT-6602GD	163,000 BTU		3	2	1	-	2	
AROBSTCT-660X2GR	159,000 BTU		3	2	1	2	-	
Gas Supply	7" W.C. Natural, 11" W.C. Propane							
Electrical Supply	120VAC 15 AMP 60 Hz Single Phase							

ACCESSORIES & OPTIONS	24"	30"	36"	48"	60"
1" Fabricated Island Back	ARR-24SIB-P	ARR-30SIB-P	ARR-36SIB-P	ARR-48SIB-P	ARR-60SIB-P
1" Welded Island Back	ARR-24IB-P	ARR-30IB-P	ARR-36IB-P	ARR-48IB-P	ARR-60IB-P
4" Stub Back	ARR-244SB-P	ARR-304SB-P	ARR-364SB-P	ARR-484SB-P	ARR-604SB-P
20" High Back with Shelf	ARR-2421HBS-P	ARR-3021HBS-P	ARR-3621HBS-P	ARR-4821HBS-P	ARR-6021HBS-P
12" Griddle Cover	N/A	ARR-GDCOV12-S-P	ARR-GDCOV12-S-P	ARR-GDCOV12-S-P	ARR-GDCOV12-S-P
12" Grill Cover	ARR-GRCOV12-P	N/A	ARR-GRCOV12-P	ARR-GRCOV12-P	ARR-GRCOV12-P
12" Removable Heavy Duty Griddle Plate	ARR-PGPI2-P	ARR-PGPI2-P	ARR-PGPI2-P	ARR-PGPI2-P	ARR-PGPI2-P
24" Removable Heavy Duty Griddle Plate	N/A	N/A	APR-PGP24-P	APR-PGP24-P	APR-PGP24-P
24" Griddle Cover	N/A	N/A	ARR-GDCOV24-S-P	ARR-GDCOV24-P	ARR-GDCOV24-P
24" Grill Cover	N/A	N/A	N/A	ARR-GRCOV24-P	ARR-GRCOV24-P
12" Cutting Board	ARR-CUTB-12-P	ARR-CUTB-12-P	ARR-CUTB-12-P	ARR-CUTB-12-P	ARR-CUTB-12-P
11" Mirror Chrome Flat Griddle Plate	N/A	N/A	MC11-FS-P	MC11-FS-P	MC11-FS-P
11" Mirror Chrome Grooved Griddle Plate	N/A	N/A	MC11-GG-P	MC11-GG-P	MC11-GG-P
22" Mirror Chrome Flat Griddle Plate	N/A	N/A	N/A	MC22-FS-P	MC22-FS-P
22" Mirror Chrome Left Flat & Right Grooved Griddle Plate	N/A	N/A	N/A	MC22-HG-P	MC22-HG-P
22" Mirror Chrome Grooved Griddle Plate	N/A	N/A	N/A	MC22-GG-P	MC22-GG-P
22" Mirror Chrome Griddle Plate w/ Flavor Separator at Center	N/A	N/A	N/A	MC22-SP-P	MC22-SP-P
Wok Adapter for Burner Grate	ARR-WOK-P	ARR-WOK-P	ARR-WOK-P	ARR-WOK-P	ARR-WOK-P



N = Natural Gas Must ship from factory with proper gas type
L = LP Gas Must provide **N** or **L** after model number for type of gas needed.
Example: AROBSTCT-636-L represents unit to be built for **LP** gas.
Note: Must specify elevation if over 1000 ft when ordering.

Overall Dimensions (A)			
Nominal Width	Width	Height	Depth
24"	23-7/8"	9-5/16"	28"
30"	29-7/8"	9-5/16"	28"
36"	35-7/8"	9-5/16"	28"
48"	47-7/8"	9-5/16"	28"
60"	59-7/8"	9-5/16"	28"

Cutout Dimensions			
Nominal Width	Width	Height	Depth
24"	24"	8"	24"
30"	30"	8"	24"
36"	36"	8"	24"
48"	48"	8"	24"
60"	60"	8"	24"