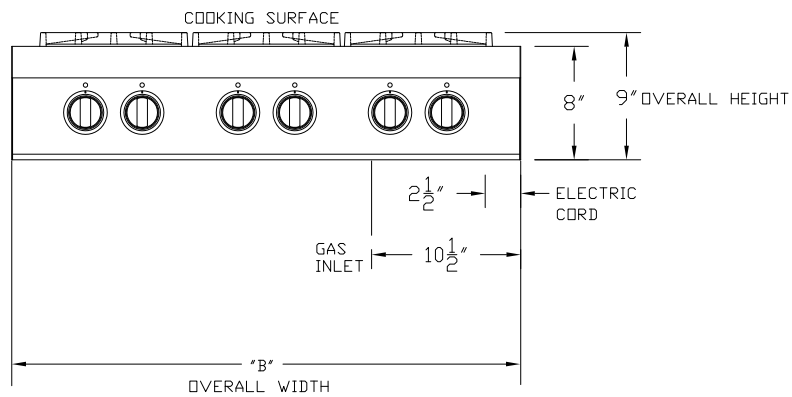


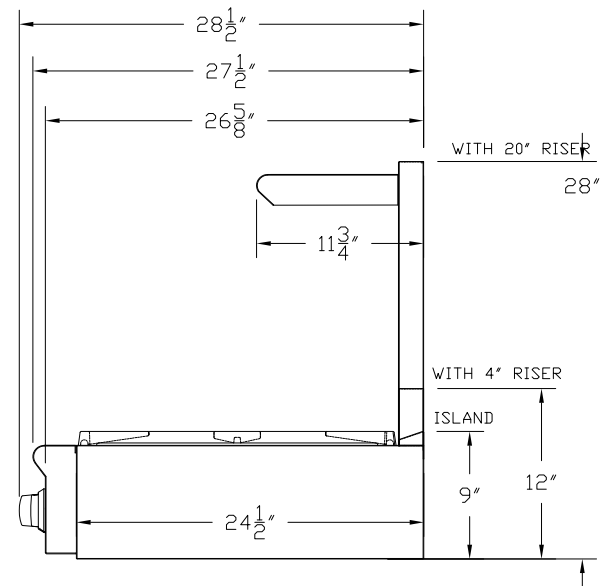
OVERALL DIMENSIONS

SLIDE-IN RANGETOPS

SIZE	"A"	"B"
24 IN.	24"	23.875"
30 IN.	30"	29.875"
36 IN.	36"	35.875"
48 IN.	48"	47.875"
60 IN.	60"	59.875"

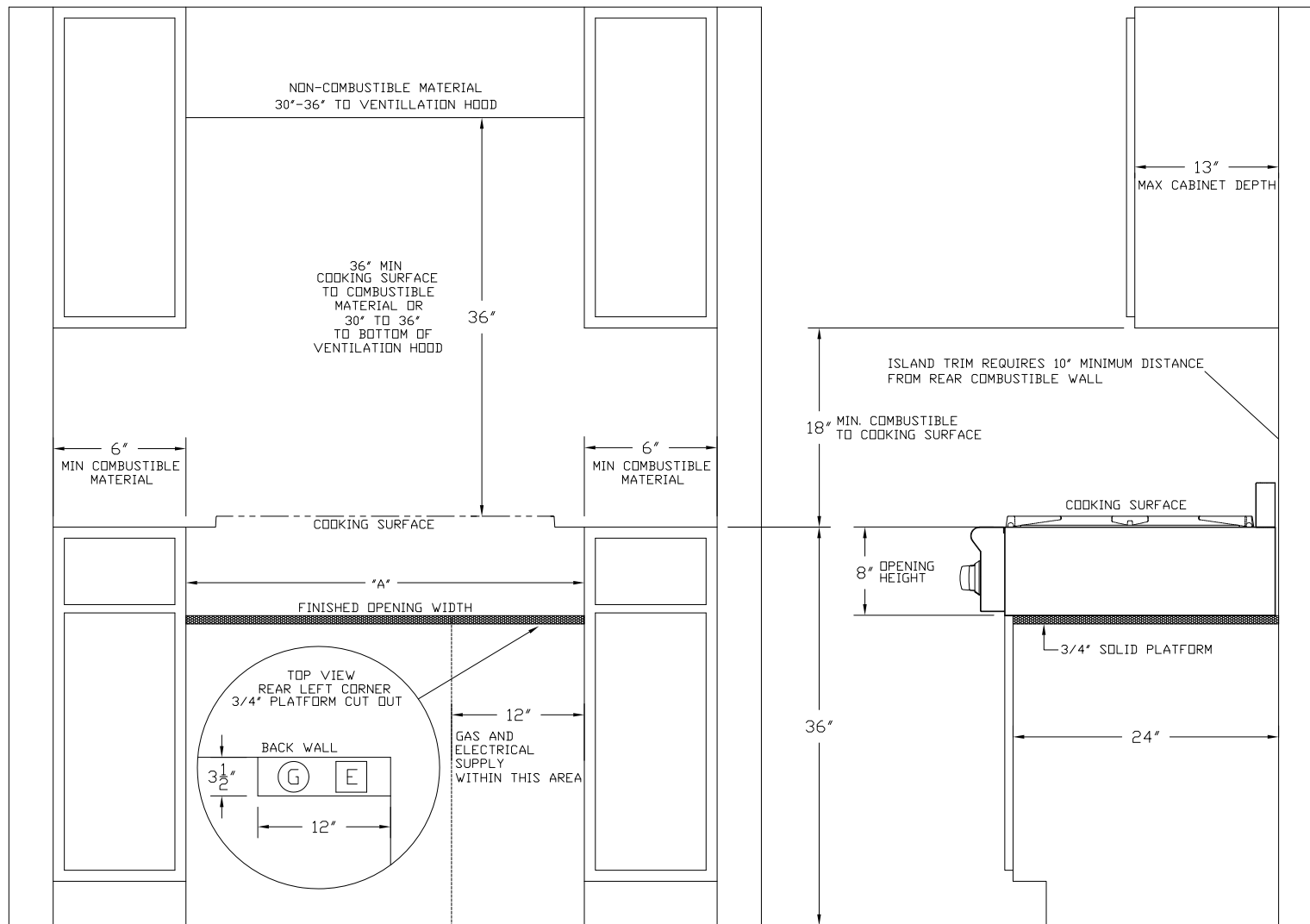


OVERALL DEPTH



INSTALLATION SPECIFICATIONS

SLIDE-IN RANGETOPS



G E LOCATION OF GAS AND ELECTRICAL SUPPLY

ELECTRIC OUTLET - STANDARD 3 PRONG 120 V
 ALLOW FOR A SHUT OFF VALVE AT GAS OUTLET
 ISLAND OR PENINSULA INSTALLATIONS REQUIRES A 10" MINIMUM CLEARANCE FROM BACK OF RANGE TO A COMBUSTIBLE SURFACE
 ISLAND TRIM 0 IN. CLEARANCE TO NON COMBUSTIBLE SURFACE
 NO SIDE WALL ABOVE COOKING SURFACE
 ALLOW FOR A SHUT OFF VALVE AT GAS OUTLET